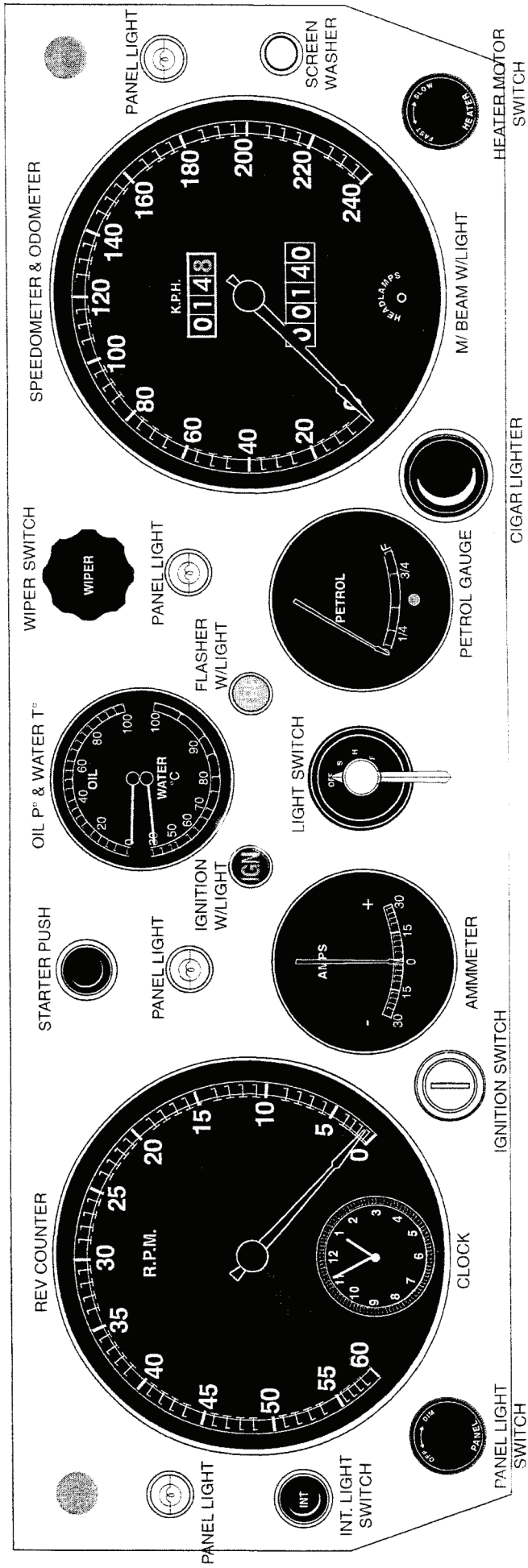


**JAGUAR XK 140 3.4 litre OTS, FHC, DHC**  
 RHD & LHD 1954-1957 positive earth  
 chassis Nos 800-804-807 (rhd)... & Nos 810-814-817 (lhd)...

— SNAP CONNECTOR      ○ JUNCTION BOX or TERMINAL BLOCK

| KEY TO CABLE COLOURS |       |   |        |   |        |
|----------------------|-------|---|--------|---|--------|
| B                    | BLACK | K | PINK   | Y | YELLOW |
| U                    | BLUE  | P | PURPLE | L | LIGHT  |
| N                    | BROWN | R | RED    | D | DARK   |
| G                    | GREEN | W | WHITE  | S | SLATE  |

PANEL INSTRUMENT

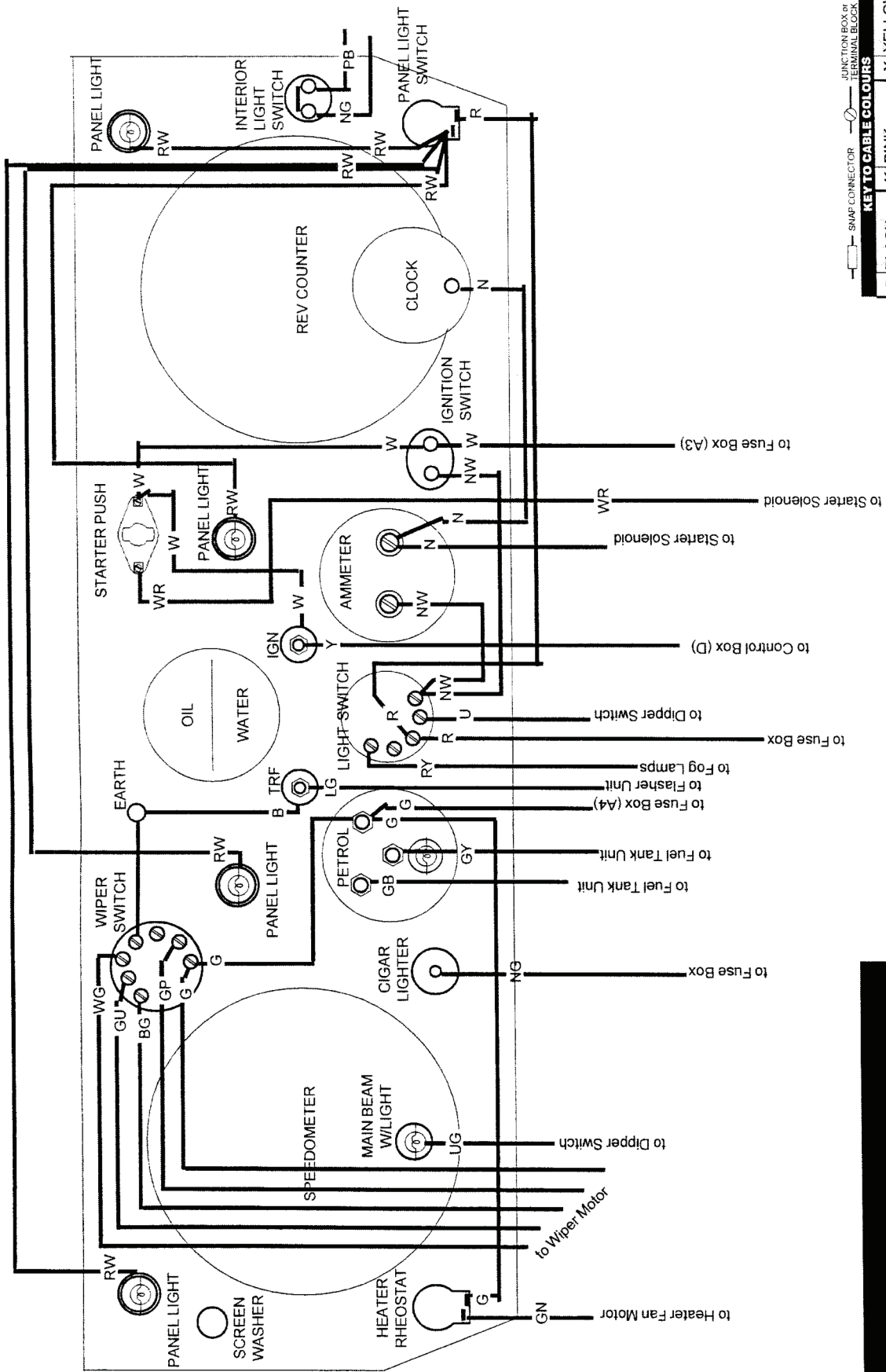


**JAGUAR XK 140 3.4 litre OTS, FHC, DHC**  
**RHD & LHD 1954-1957 positive earth**

Chassis N<sup>os</sup> 800-804-807 (rhd)... & N<sup>os</sup> 810-814-817 (lhd)...

WIRING

PANEL INSTRUMENT



SNAP CONNECTOR  
JUNCTION BOX or TERMINAL BLOCK

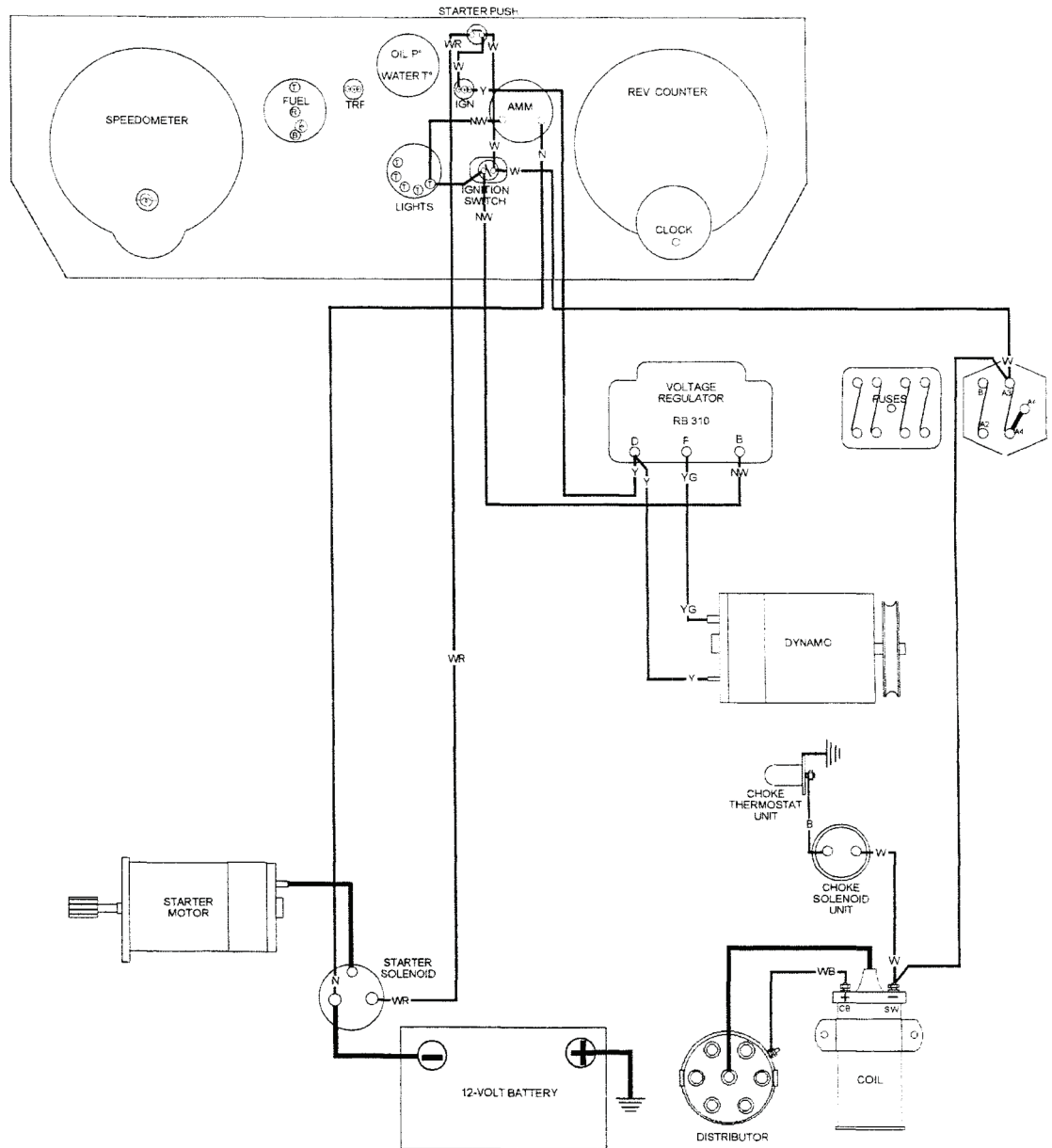
KEY TO CABLE COLOURS

|   |       |   |        |   |        |
|---|-------|---|--------|---|--------|
| B | BLACK | K | PINK   | Y | YELLOW |
| U | BLUE  | P | PURPLE | L | LIGHT  |
| N | BROWN | R | RED    | D | DARK   |
| G | GREEN | W | WHITE  | S | SLATE  |

**JAGUAR XK 140** 3.4 Litre OTS, FHC, DHC  
**RHD & LHD 1954-1957 positive earth**  
 chassis N<sup>os</sup> 800-804-807 (rhd)... & N<sup>os</sup> 810-814-817 (lhd)...

WIRING

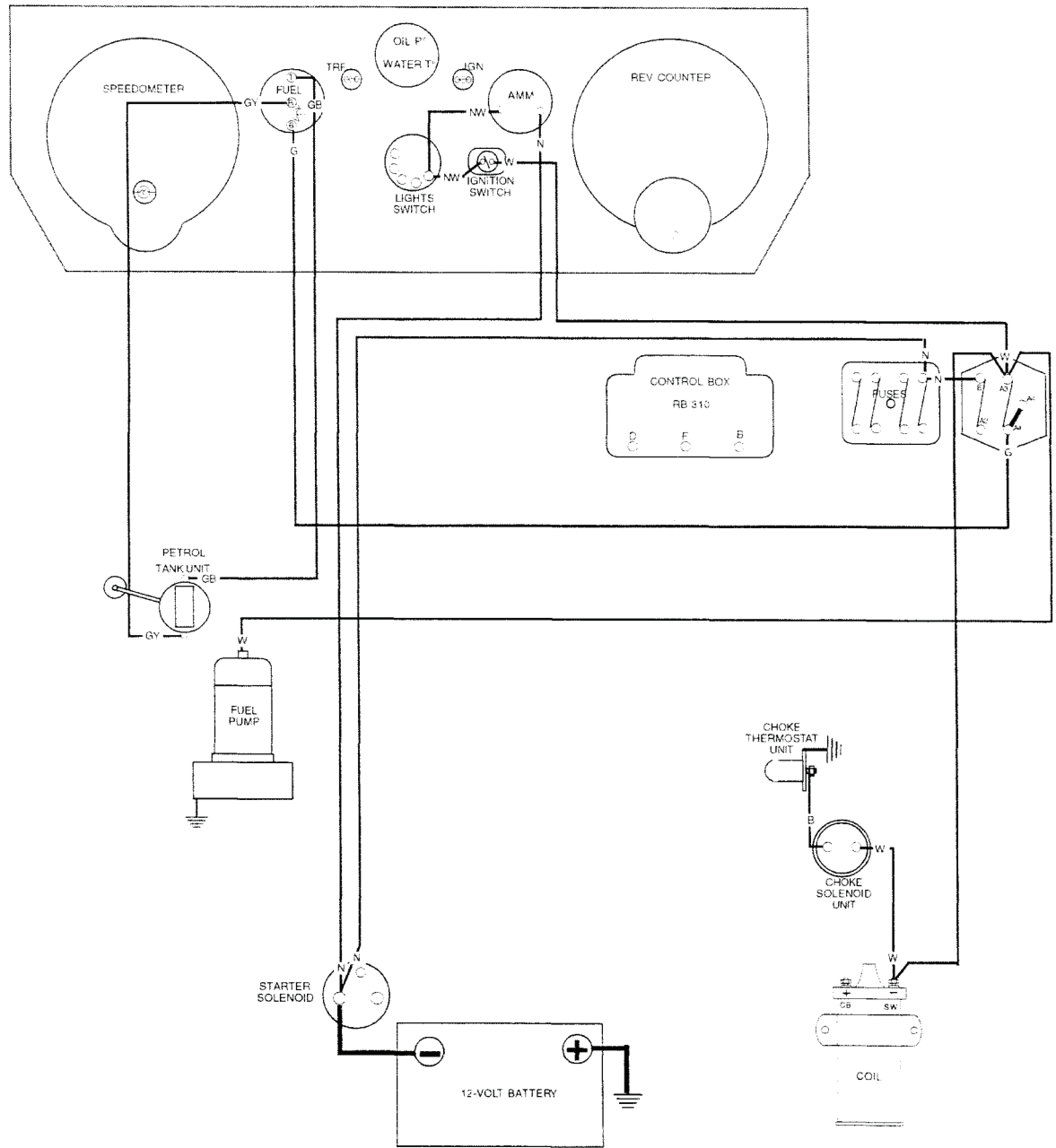
**STARTING-IGNITION-CHARGE-REGULATION**



**JAGUAR XK 140** 3.4 litre OTS, FHC, DHC  
 RHD & LHD 1954-1957 positive earth  
 chassis N<sup>os</sup> 800-804-807 (rhd)... & N<sup>os</sup> 810-814-817 (lhd)...

| KEY TO CABLE COLOURS |          |          |
|----------------------|----------|----------|
| B BLACK              | K PINK   | Y YELLOW |
| U BLUE               | P PURPLE | L LIGHT  |
| N BROWN              | R RED    | D DARK   |
| G GREEN              | W WHITE  | S SLATE  |

# WIRING FUEL SYSTEMS



**JAGUAR XK 140 3.4 litre OTS, FHC, DHC**  
RHD & LHD 1954-1957 positive earth

chassis Nos 800-804-807 (rhd)... & Nos 810-814-817 (lhd)...

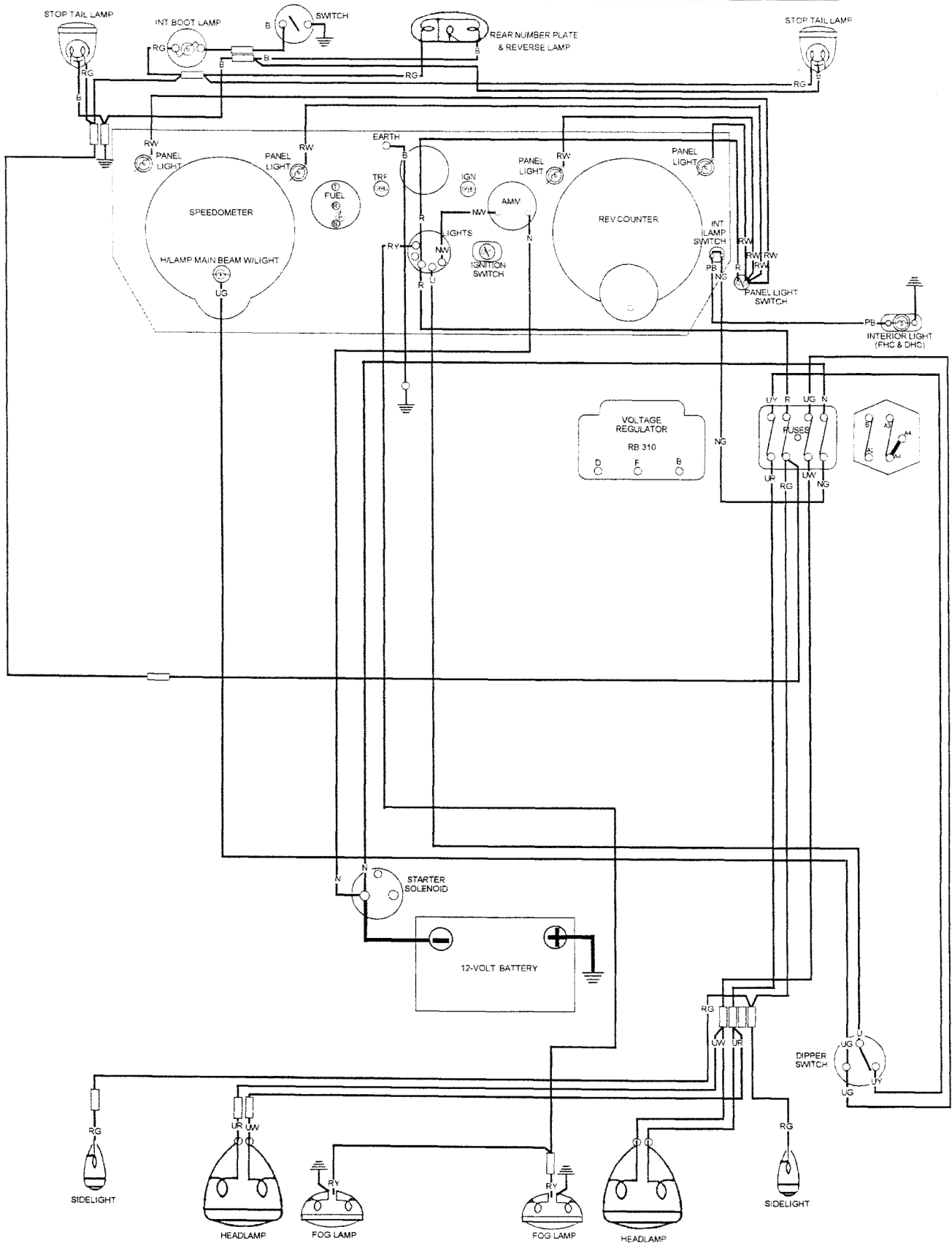
— SNAP CONNECTOR    ○ JUNCTION BOX or TERMINAL BLOCK

### KEY TO CABLE COLOURS

|         |          |          |
|---------|----------|----------|
| B BLACK | K PINK   | Y YELLOW |
| U BLUE  | P PURPLE | L LIGHT  |
| N BROWN | R RED    | D DARK   |
| G GREEN | W WHITE  | S SLATE  |



# WIRING LIGHTING

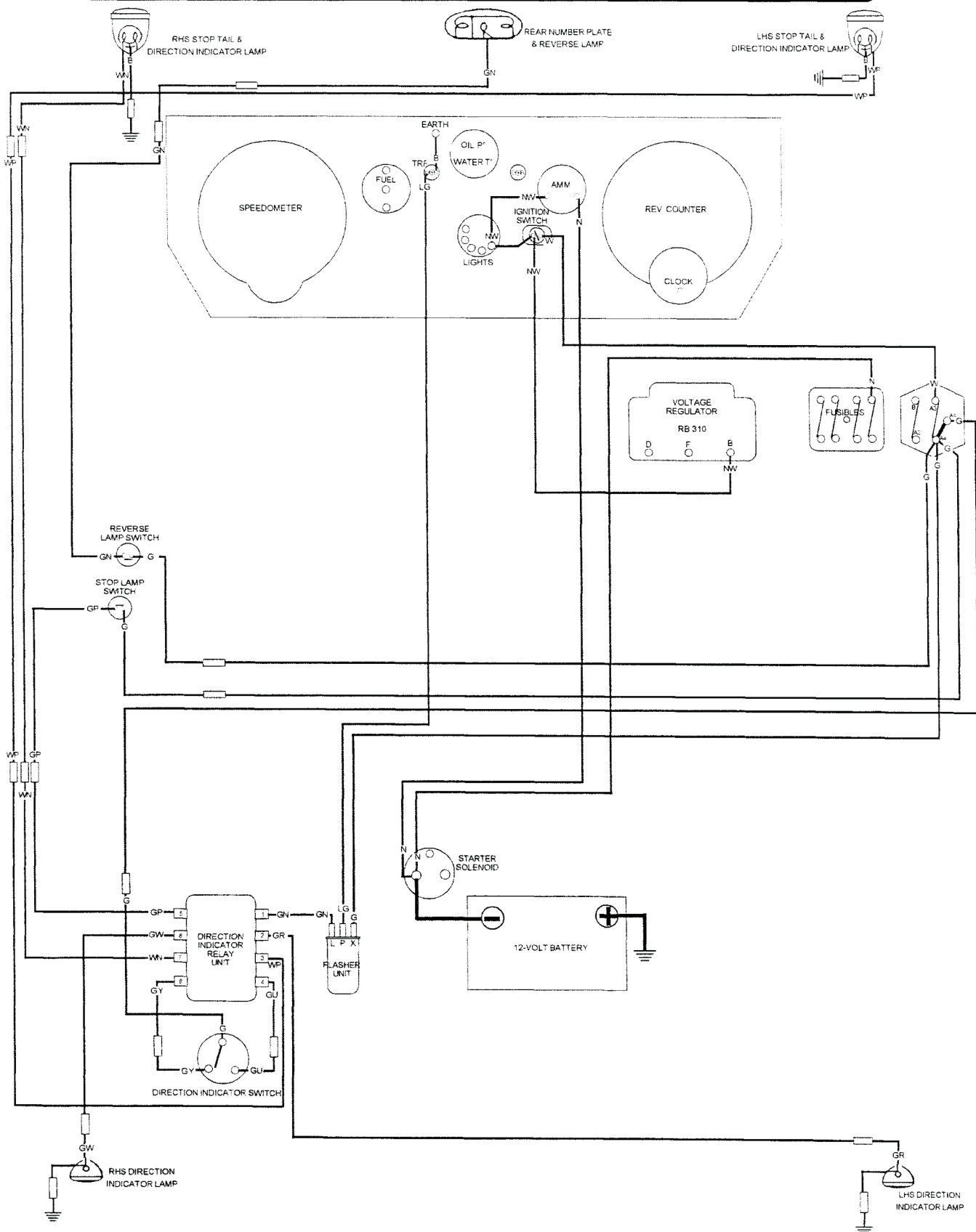


**JAGUAR XK 140 3.4 litre OTS, FHC, DHC**  
**RHD & LHD 1954-1957 positive earth**  
 chassis N<sup>os</sup> 800-804-807 (rhd)... & N<sup>os</sup> 810-814-817 (lhd)...

| KEY TO CABLE COLOURS |          |          |
|----------------------|----------|----------|
| B BLACK              | K PINK   | Y YELLOW |
| U BLUE               | P PURPLE | L LIGHT  |
| N BROWN              | R RED    | D DARK   |
| G GREEN              | W WHITE  | S SLATE  |

WIRING

**SIGNALLING-FLASHERS-STOP & REVERSE LAMPS**

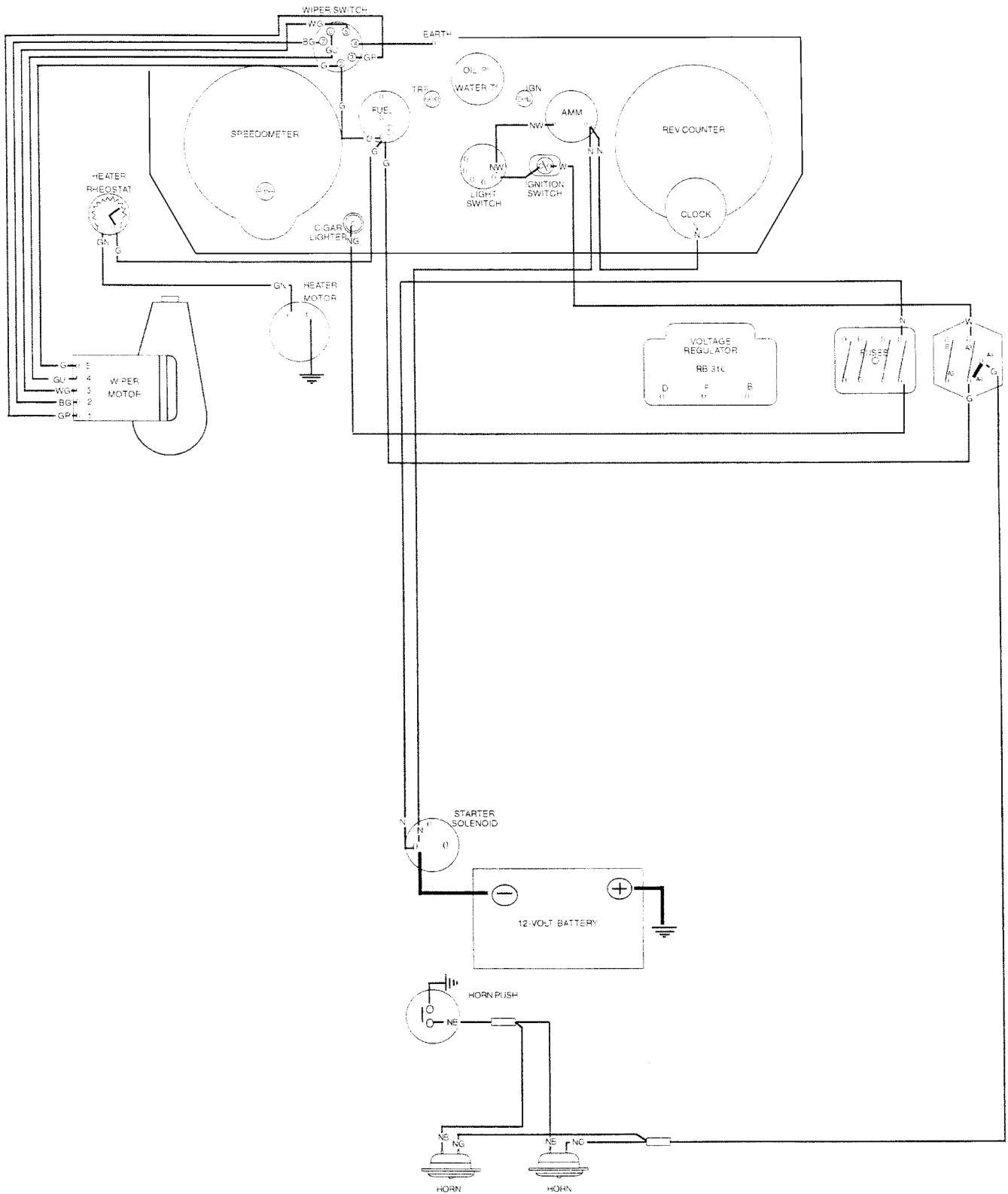


**JAGUAR XK 140 3.4 litre OTS, FHC, DHC**  
**RHD & LHD 1954-1957 positive earth**  
 chassis Nos 800-804-807 (rhd)... & Nos 810-814-817 (lhd)...

— SNAP CONNECTOR      — JUNCTION BOX or TERMINAL BLOCK

| KEY TO CABLE COLOURS |       |   |        |   |        |
|----------------------|-------|---|--------|---|--------|
| B                    | BLACK | K | PINK   | Y | YELLOW |
| U                    | BLUE  | P | PURPLE | L | LIGHT  |
| N                    | BROWN | R | RED    | D | DARK   |
| G                    | GREEN | W | WHITE  | S | SLATE  |

# WIRING ANCILLARIES



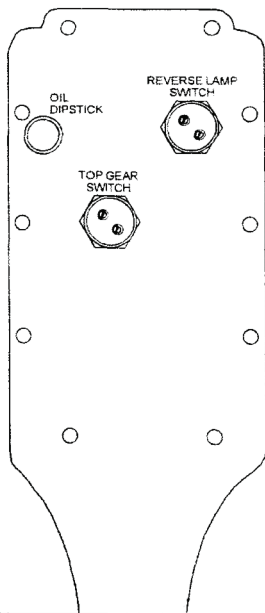
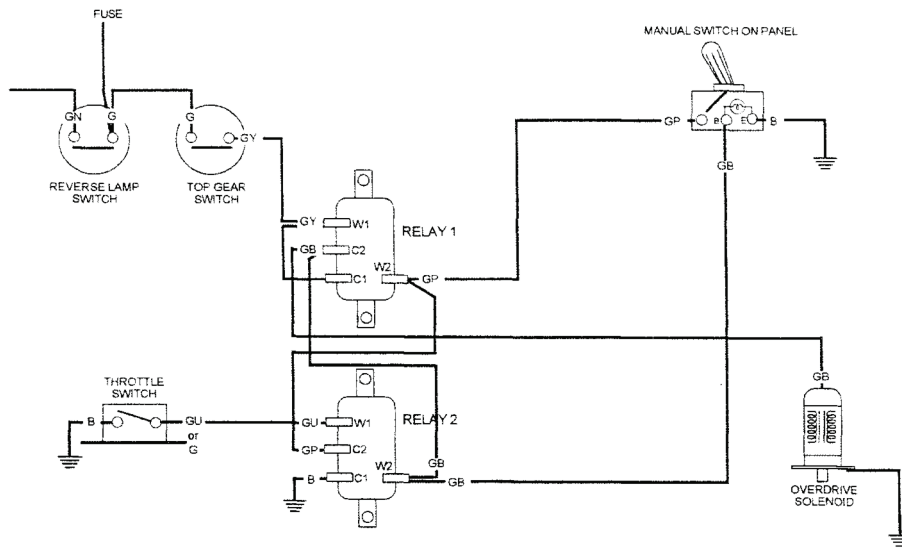
**JAGUAR XK 140 3.4 litre OTS, FHC, DHC**  
**RHD & LHD 1954-1957 positive earth**  
 chassis N<sup>os</sup> 800-804-807 (rhd)... & N<sup>os</sup> 810-814-817 (lhd)...

| KEY TO CABLE COLOURS |            |            |
|----------------------|------------|------------|
| B   BLACK            | K   PINK   | Y   YELLOW |
| U   BLUE             | P   PURPLE | L   LIGHT  |
| N   BROWN            | R   RED    | D   DARK   |
| G   GREEN            | W   WHITE  | S   SLATE  |



# WIRING OVERDRIVE

## 2-RELAY

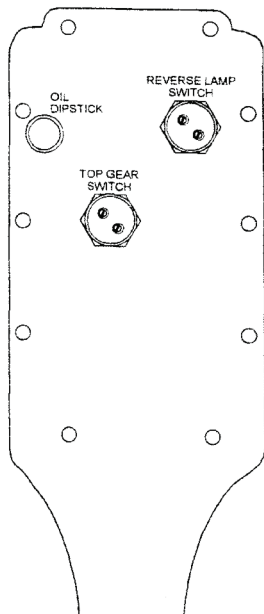
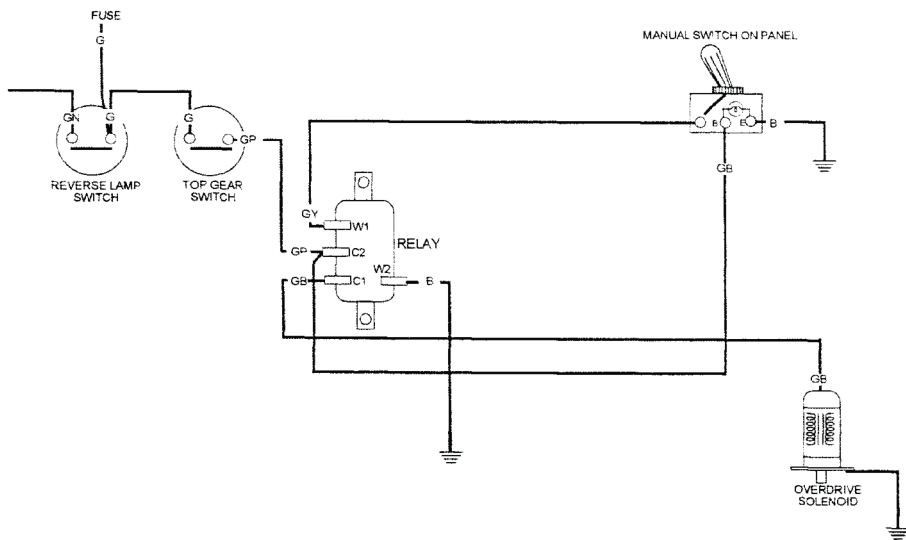


**JAGUAR XK 140** 3.4 litre OTS, FHC, DHC  
**RHD & LHD 1954-1957 positive earth**  
 chassis N<sup>os</sup> 800-804-807 (rhd)... & N<sup>os</sup> 810-814-817 (lhd)...

| KEY TO CABLE COLOURS |       |   |        |   |        |
|----------------------|-------|---|--------|---|--------|
| B                    | BLACK | K | PINK   | Y | YELLOW |
| U                    | BLUE  | P | PURPLE | L | LIGHT  |
| N                    | BROWN | R | RED    | D | DARK   |
| G                    | GREEN | W | WHITE  | S | SLATE  |

# WIRING OVERDRIVE

1 RELAY

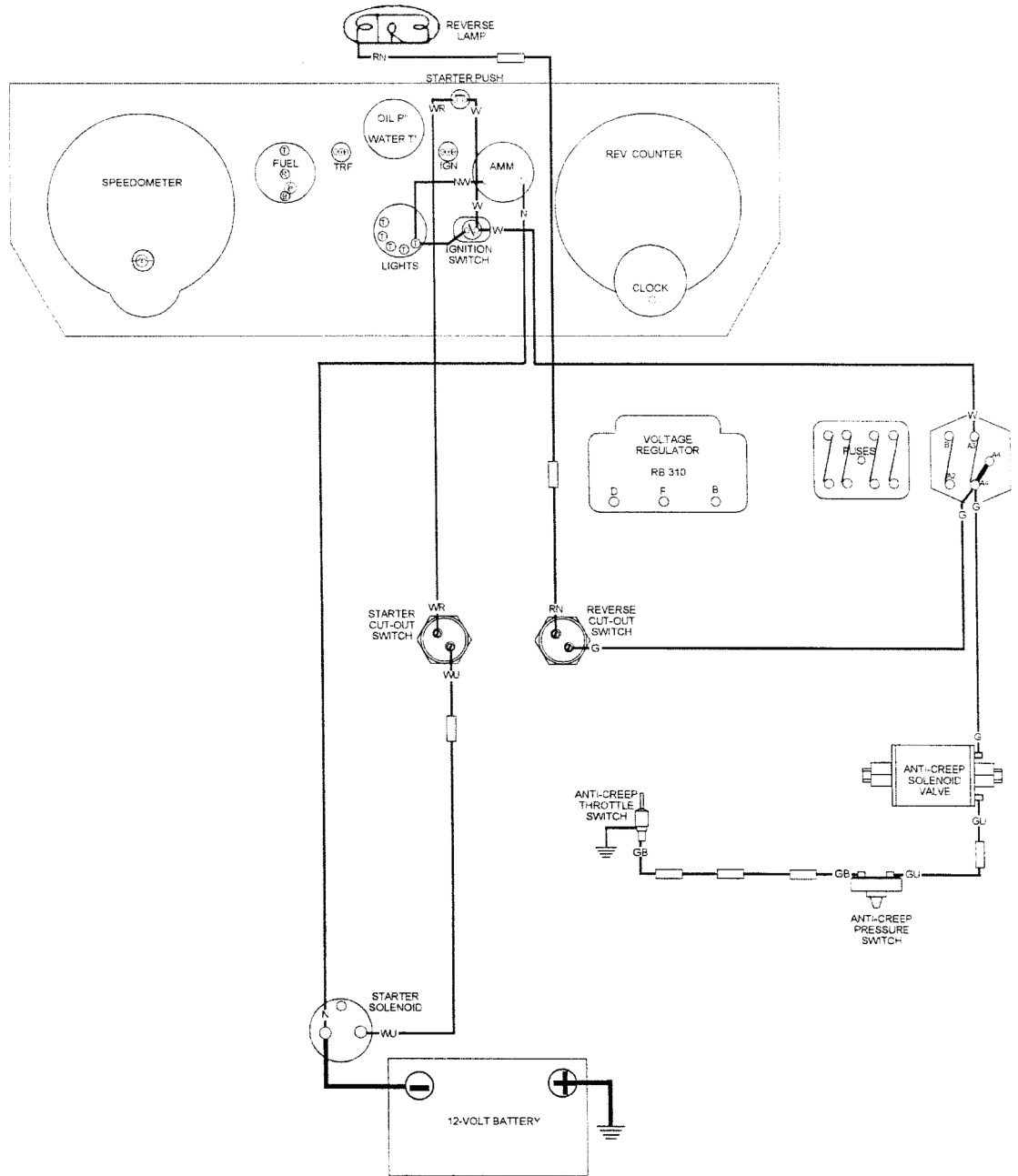


**JAGUAR XK 140** 3.4 litre OTS, FHC, DHC  
**RHD & LHD 1954-1957 positive earth**  
 chassis Nos 800-804-807 (rhd)... & Nos 810-814-817 (lhd)...

| KEY TO CABLE COLOURS |          |          |
|----------------------|----------|----------|
| B BLACK              | K PINK   | Y YELLOW |
| U BLUE               | P PURPLE | L LIGHT  |
| N BROWN              | R RED    | D DARK   |
| G GREEN              | W WHITE  | S SLATE  |

WIRING

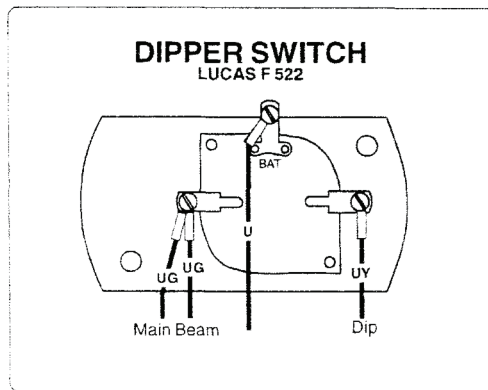
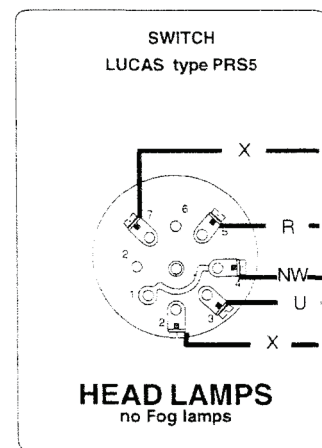
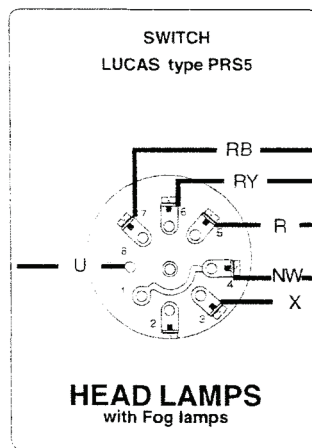
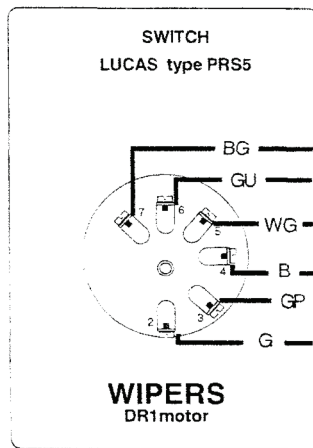
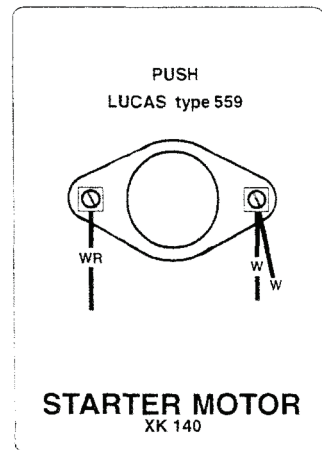
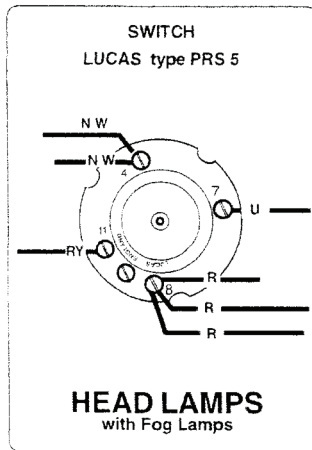
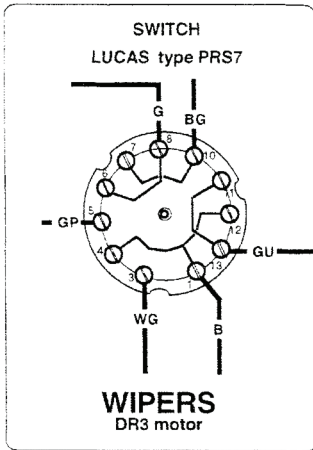
**BORG WARNER AUTOMATIC TRANSMISSION**



**JAGUAR XK 140 3.4 litre FHC, DHC**  
**RHD & LHD 1954-1957 positive earth, automatic**  
 chassis N<sup>os</sup> 800-804-807 (rhd)... & N<sup>os</sup> 810-814-817 (lhd)...

| KEY TO CABLE COLOURS |       |   |        |   |        |
|----------------------|-------|---|--------|---|--------|
| B                    | BLACK | K | PINK   | Y | YELLOW |
| U                    | BLUE  | P | PURPLE | L | LIGHT  |
| N                    | BROWN | R | RED    | D | DARK   |
| G                    | GREEN | W | WHITE  | S | SLATE  |

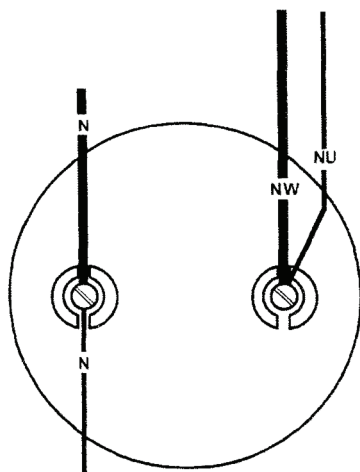
# WIRING LUCAS SWITCHES



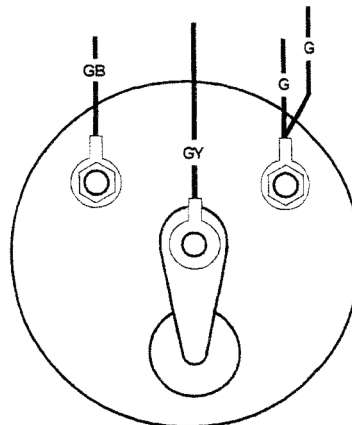
**JAGUAR XK 140 3.4 litre OTS, FHC, DHC**  
RHD & LHD 1954-1957 positive earth  
chassis Nos 800-804-807 (rhd)... & Nos 810-814-817 (lhd)...

| KEY TO CABLE COLOURS |            |            |
|----------------------|------------|------------|
| B   BLACK            | K   PINK   | Y   YELLOW |
| U   BLUE             | P   PURPLE | L   LIGHT  |
| N   BROWN            | R   RED    | D   DARK   |
| G   GREEN            | W   WHITE  | S   SLATE  |

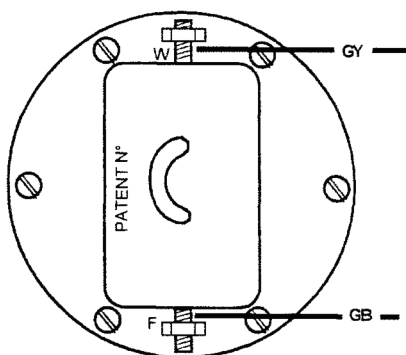
WIRING  
**GAUGES**



**AMMETER**  
LUCAS type BM4



**FUEL GAUGE**  
SMITHS type X



**FUEL TANK UNIT**  
SMITHS type X

**JAGUAR XK 140** 3.4 litre OTS, FHC, DHC  
RHD & LHD 1954-1957 positive earth

chassis N<sup>os</sup> 800-804-807 (rhd)... & N<sup>os</sup> 810-814-817 (lhd)...

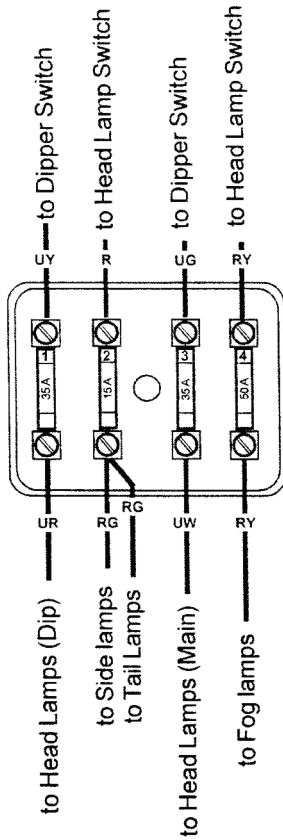
ots fnc dhc      ots fnc dhc

— SNAP CONNECTOR      — JUNCTION BOX or TERMINAL BLOCK

**KEY TO CABLE COLOURS**

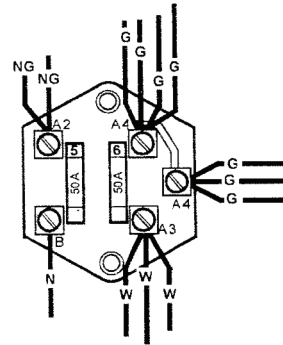
|         |          |          |
|---------|----------|----------|
| B BLACK | K PINK   | Y YELLOW |
| U BLUE  | P PURPLE | L LIGHT  |
| N BROWN | R RED    | D DARK   |
| G GREEN | W WHITE  | S SLATE  |

WIRING  
**FUSE BOXES**



**SF4 LUCAS  
FUSE BOX**

- FUSE 1** Head Lamps (Dip Beam)
- FUSE 2** Side Lamps, Tail Lamps
- FUSE 3** Head Lamps (Main Beam)
- FUSE 4** Fog Lamps



**SF6 LUCAS FUSE BOX**

- FUSE 5** Interior Light, Cigar Lighter
- FUSE 6** Fuel Gauge, Screen Wiper, Reverse Lamp, Stop Lamp, Horns, Choke Solenoid

**BROWN WIRES:**

Under permanent current.  
Before ignition switch.  
Non-regulated current.

**WHITE WIRES:**

Under tension only after ignition switch is on.  
No protection by fuses.  
Regulated current.

**GREEN WIRES:**

After ignition switch.  
Protection by fuses.  
Regulated current.

**JAGUAR XK 140** 3.4 litre OTS, FHC, DHC  
RHD & LHD 1954-1957 positive earth

chassis N<sup>os</sup> 800-804-807 (rhd)... & N<sup>os</sup> 810-814-817 (lhd)...  
ots fhc dhc      ots fhc dhc

— SNAP CONNECTOR      — JUNCTION BOX or TERMINAL BLOCK

**KEY TO CABLE COLOURS**

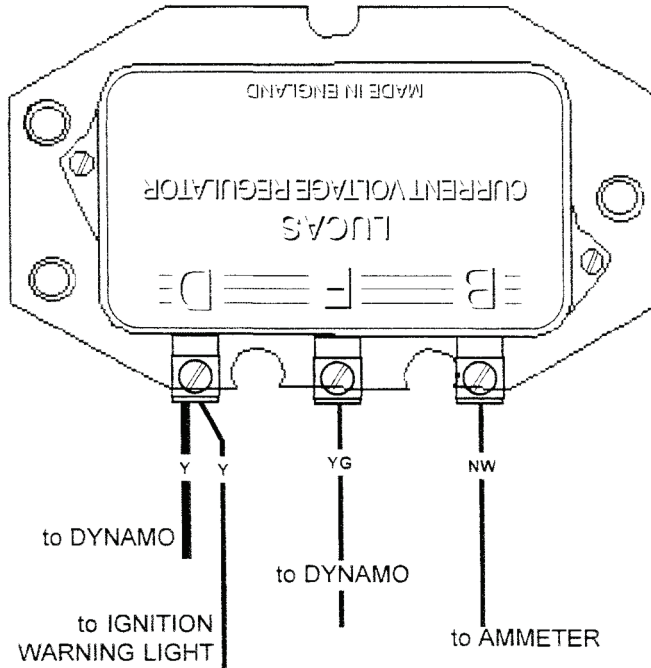
|   |       |   |        |   |        |
|---|-------|---|--------|---|--------|
| B | BLACK | K | PINK   | Y | YELLOW |
| U | BLUE  | P | PURPLE | L | LIGHT  |
| N | BROWN | R | RED    | D | DARK   |
| G | GREEN | W | WHITE  | S | SLATE  |



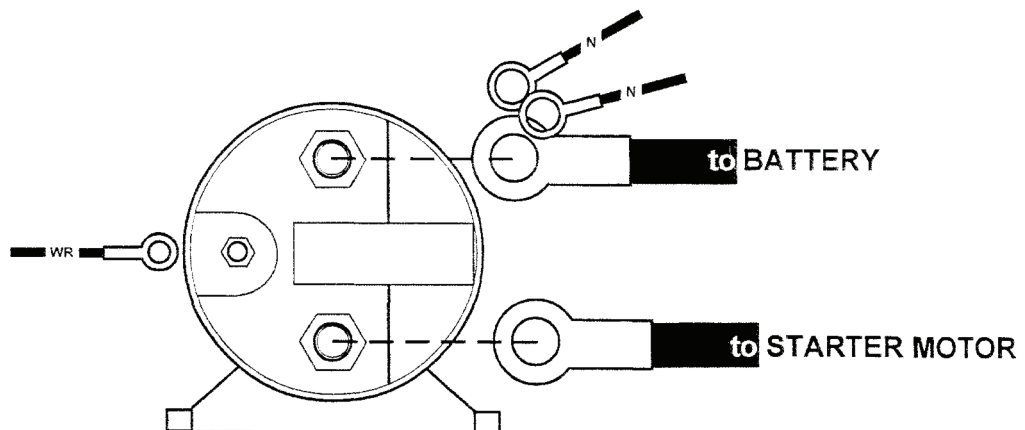
WIRING

**CONTROL BOX & SOLENOID**

**RB 310 LUCAS CONTROL BOX**



**ST 950 LUCAS STARTER SOLENOID**

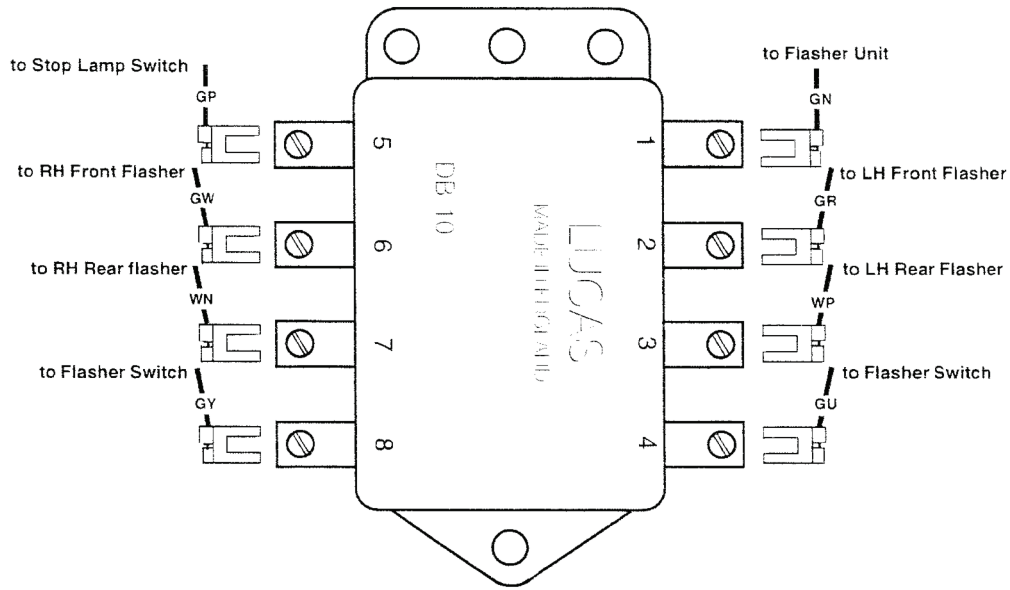


**JAGUAR XK 140 3.4 litre OTS, FHC, DHC**  
**RHD & LHD 1954-1957 positive earth**  
 chassis N<sup>os</sup> 800-804-807 (rhd)... & N<sup>os</sup> 810-814-817 (lhd)...

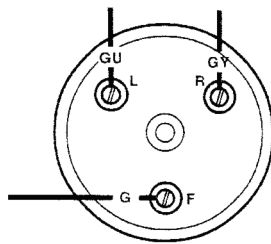
| SNAP CONNECTOR       |       | JUNCTION BOX or TERMINAL BLOCK |        |   |        |
|----------------------|-------|--------------------------------|--------|---|--------|
| KEY TO CABLE COLOURS |       |                                |        |   |        |
| B                    | BLACK | K                              | PINK   | Y | YELLOW |
| U                    | BLUE  | P                              | PURPLE | L | LIGHT  |
| N                    | BROWN | R                              | RED    | D | DARK   |
| G                    | GREEN | W                              | WHITE  | S | SLATE  |

WIRING

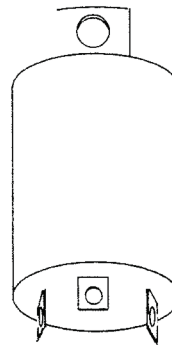
**FLASHER RELAY, SWITCH & UNIT**



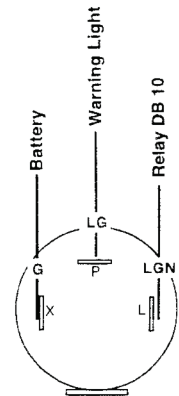
**STOP/FLASHER RELAY**  
LUCAS DB 10



**FLASHER SWITCH**



**FLASHER UNIT**  
LUCAS FL5

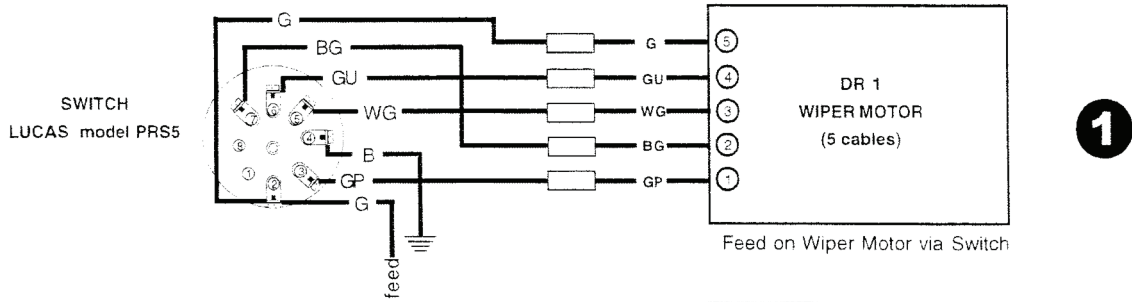


**JAGUAR XK 140 3.4 litre OTS, FHC, DHC**  
RHD & LHD 1954-1957 positive earth  
chassis N<sup>os</sup> 800-804-807 (rhd)... & N<sup>os</sup> 810-814-817 (lhd)...

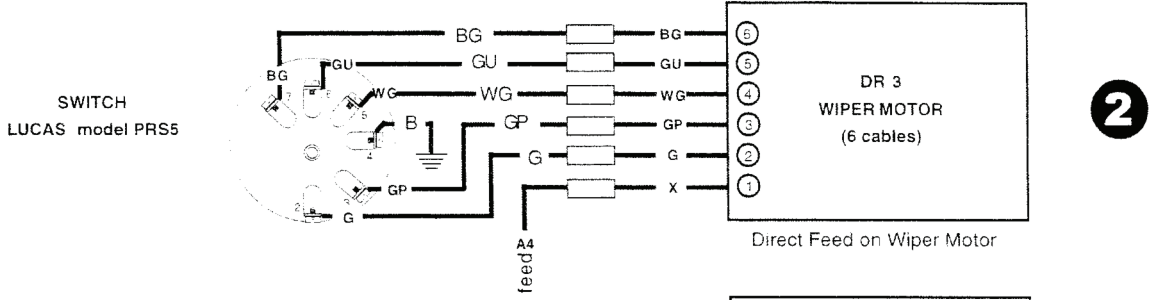
| KEY TO CABLE COLOURS |       |   |        |   |        |
|----------------------|-------|---|--------|---|--------|
| B                    | BLACK | K | PINK   | Y | YELLOW |
| U                    | BLUE  | P | PURPLE | L | LIGHT  |
| N                    | BROWN | R | RED    | D | DARK   |
| G                    | GREEN | W | WHITE  | S | SLATE  |

WIRING

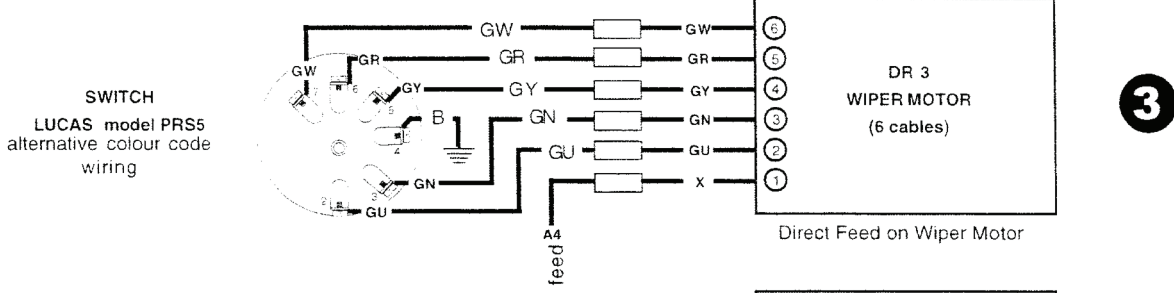
**WIPER MOTOR CONNECTIONS**



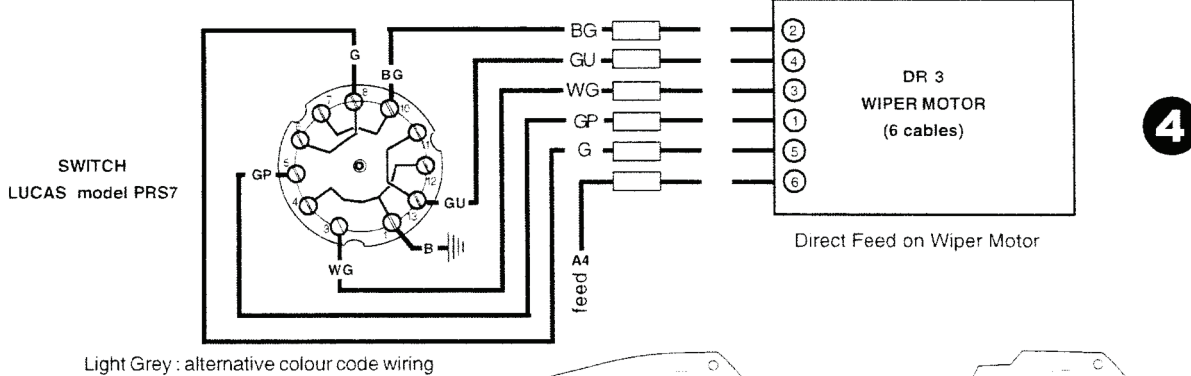
**1**



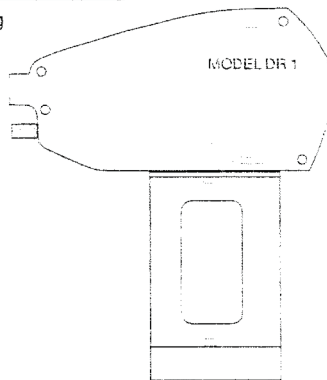
**2**



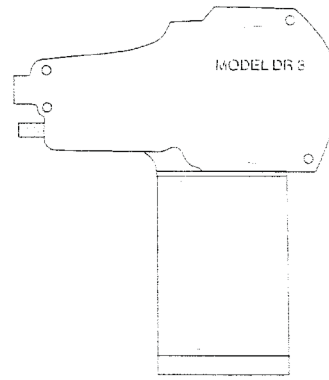
**3**



**4**



MODEL LUCAS DR 1



MODEL LUCAS DR 3

**JAGUAR XK 140 3.4 litre OTS, FHC, DHC**  
**RHD & LHD 1954-1957 positive earth**  
 chassis N<sup>os</sup> 800-804-807 (rhd)... & N<sup>os</sup> 810-814-817 (lhd)...

| KEY TO CABLE COLOURS |          |          |
|----------------------|----------|----------|
| B BLACK              | K PINK   | Y YELLOW |
| U BLUE               | P PURPLE | L LIGHT  |
| N BROWN              | R RED    | D DARK   |
| G GREEN              | W WHITE  | S SLATE  |